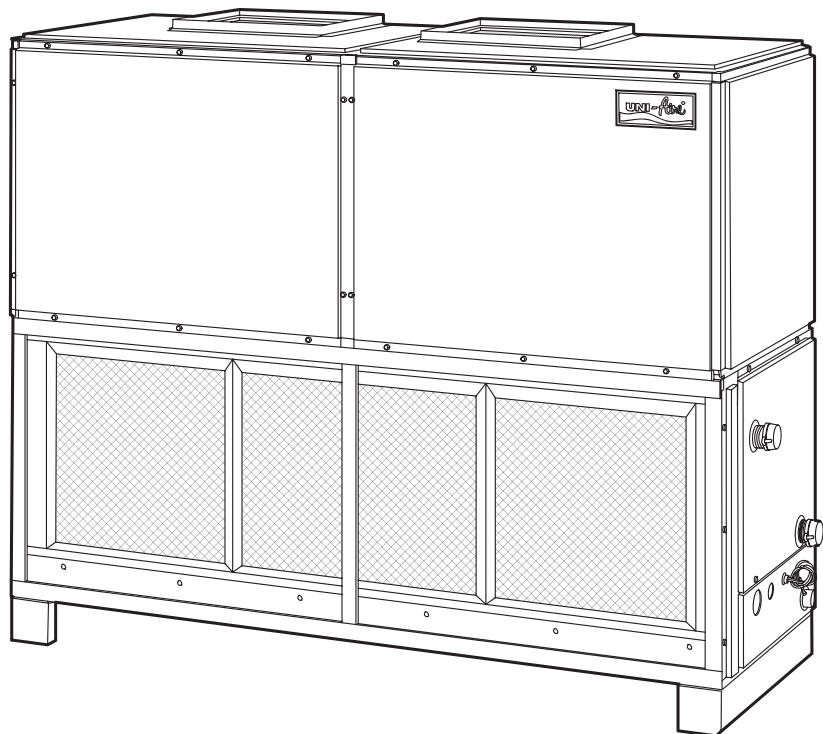
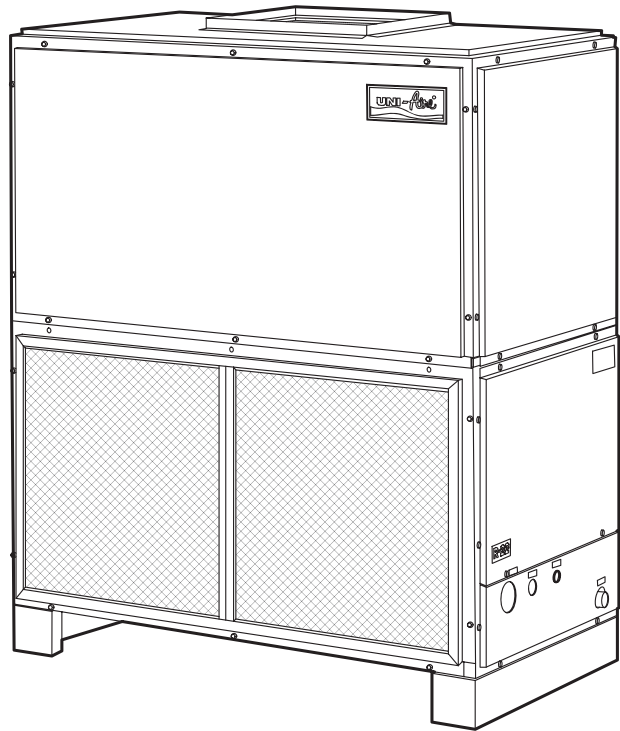


# MODEL LAHV/H ( LAHH )

**DIRECT EXPANSION &  
CHILLED WATER  
AIR HANDLING UNIT**

**AIR QUANTITY  
FROM 2,500 TO  
25,000 CFM.  
COOLING CAPACITY  
FROM 80,000 TO  
783,000 BTUH**



**Air Conditioning Experts**

UN-06-05-01-01

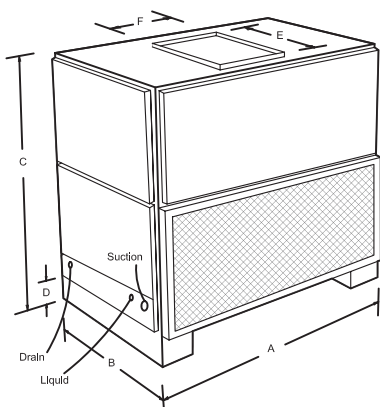
# PHYSICAL DATA

MODEL-LAHV/LAHH	007-009	010-012	015	020	025	030	040	050	060	075	
<b>Blower</b>	Size in (mm.)	12"x12"(304.8x304.8)			15"x15"(381x381)		18"x18"(457.2x457.2)			20"x20" (508x508)	22"x22" (558.8x558.8)
	Type	Belt - Drive									
	Qty.	1	2								
	Nominal CFM. (CHM)	3,000(5,100)	4,000(6,800)	5,000(8,500)	6,500(11,050)	8,000(13,600)	10,000(17,000)	12,000(20,400)	15,000(25,500)	20,000(34,000)	25,000(42,500)
	CFM. Range	2,500-3,500	3,000-5,000	4,000-6,000	5,000-8,000	6,000-10,000	8,000-12,000	10,000-15,000	12,000-18,000	18,000-22,000	22,000-28,000
CMH. Range	4,250-5,950	5,100-8,500	6,800-10,200	8,500-13,600	10,200-17,000	13,600-20,400	17,000-25,500	20,400-30,600	30,600-37,400	37,400-47,600	
<b>Motor</b>	HP.	1	2	3	5	7.5	10	10	15	20	
	RPM.	1,410	1,420			1,430	1,440	1,450		1,440	1,450
	Voltage	220,380V / 3Ph / 50Hz									
	FLA. 220/380V	3.5/2	6.2/3.6		9/5.2	14.2/8.4	22.8/12	29/16		44/25.4	58/33.5
<b>Coil</b>	Type	Plate Fin Type									
	Face Area ft. <sup>2</sup> (m <sup>2</sup> )	5.94(0.55)	10.5(0.98)		18.05(1.68)		22.22(2.06)	26.56(2.47)	33.94(3.15)	41.25(3.83)	47.74(4.44)
	Rows	4	3	4	3	4					
	Tube Size in. (mm.)	1/2 (12.70)									
<b>Connection (For D.X. Coil)</b>	Suction OD in (mm.)	1 1/8 (28.57)	1 3/8 (34.92)	1 5/8 (41.27)			2 1/8 (53.97)			2 3/8(60.32)	2 5/8(66.67)
	Liquid OD in (mm.)	5/8 (15.87)			7/8 (22.22)						
	Drain FPT. in (mm.)	3/4 (19.05)	1 (25.4)					1 1/4 (31.75)			
<b>Connection (For Water Coil)</b>	Water in NPT. (mm.)	1 1/4 (31.75)	1 1/2 (38.1)	2 (50.8)	2 1/2 (63.50)		3 (76.20)				
	Water out NPT. (mm.)	1 1/4 (31.75)	1 1/2 (38.1)	2 (50.8)	2 1/2 (63.50)		3 (76.20)				
<b>Air Filter</b>	Size :							16x16x2-2	16x16x2-1		
	WxLxThk.-No.	22x21 1/2x1-2	20x20x1-2(508x508x1-2)	14x20x2-8(355.6x508x2-8)			16x20x2-2(406.4x508x2-2)		(406.4x406.4x2-2)	(406.4x406.4x2-1)	20x25x2-10
	in. (mm.)	(558.8x546.1x1-2)	20x25x1-1(508x635x1-1)				16x25x2(406.4x635x2-2)		(406.4x508x2-1)	(406.4x635x2-4)	(508x635x2-10)
							20x25x2(508x635x2-2)		16x25x2-3	20x25x2-8	25x25x2-5
							20x20x2.2(508x508x2-2)		(406.4x635x2-3)	(508x635x2-8)	(635x635x2-5)
								20x25x2-6	20x20x2-2	(508x508x2-2)	
Weight (Approx)	lbs. (kgs.)	300(136.40)	400(181.80)	450(204.50)	580(263.60)	650(295.50)	850(386.40)	940(427.30)	1,030(468.20)	1,100(500)	1,200(545.50)

# DIMENSIONAL DATA

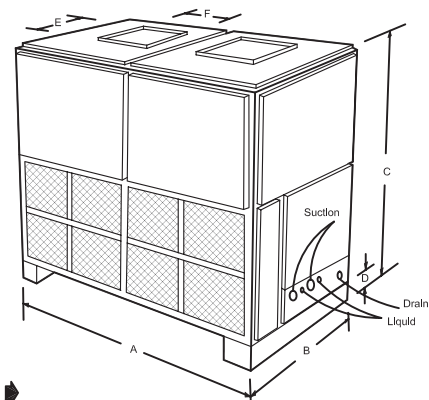
MODEL-LAHV/LAHH	007-009	010-012	015	020	025	030	040	050	060	075	
<b>Dimension in.(mm.)</b>	A	45(1,143)	71(1,803.40)	71(1,803.40)	91 1/8(2,314.60)	91 1/8(2,314.60)	97(2,463.80)	97(2,463.80)	97(2,463.80)	121(3,073.40)	130(3,302)
	B	25(635)	27(685.80)	27(685.80)	35(889)	35(889)	43(1,092.20)	43(1,092.20)	43(1,092.20)	43(1,092.20)	48(1,219.20)
	C	52 3/4(1,339.80)	56 1/2(1,435.10)	56 1/2(1,435.10)	72 1/2(1,841.50)	72 1/2(1,841.50)	90 1/2(2,298.70)	90 1/2(2,298.70)	109(2,768.6)	109(2,768.6)	126(3,200.4)
	D	4(101.60)	4(101.60)	4(101.60)	4(101.60)	4(101.60)	6(152.40)	6(152.40)	6(152.40)	6(152.40)	4(101.60)
	E	13 3/4(349.20)	13 3/4(349.25)	13 3/4(349.25)	16 1/4(412.75)	16 1/4(412.75)	19 3/8(492.12)	19 3/8(492.12)	19(482.6)	25(635)	27 1/2(698.5)
	F	15 7/8(403.22)	15 7/8(403.22)	15 7/8(403.22)	18 7/8(479.42)	18 7/8(479.42)	22(558.80)	22(558.80)	22(558.80)	25(635)	27 1/2(698.5)

# DIMENSIONAL DRAWINGS



Model LAHV - 007 - 009

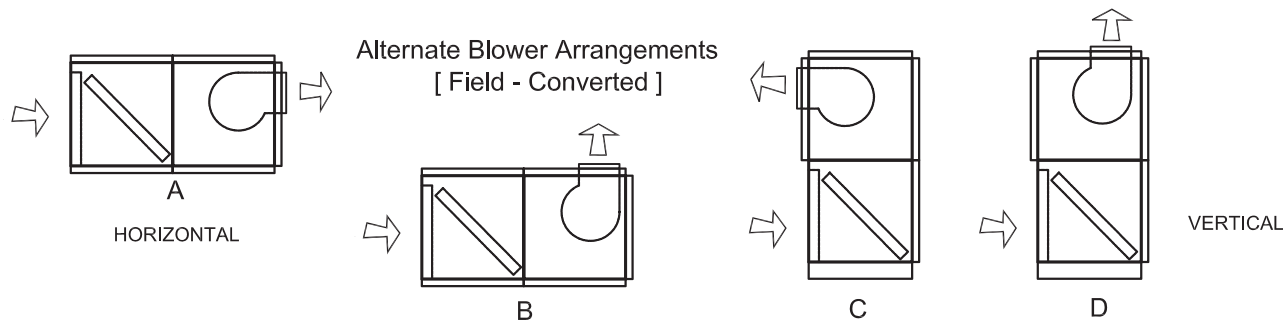
Model LAHV - 010 - 075



# PERFORMANCE DATA FOR DX. COIL

MODEL	SUPPLY AIR (CFM)(CMH)	Ewb °F	COIL REFRIGERANT TEMP (°F)							
			35		40		45		50	
			TC	SHC	TC	SHC	TC	SHC	TC	SHC
LAHV-007,009	2,500(4,250)	72 67 62	- 114 91	- 72 78	122 97 74	58 65 71	105 80 -	51 56 -	86 62 -	45 51 -
	3,000(5,100)	72 67 62	153 126 100	69 80 88	134 106 81	64 73 80	115 88 -	57 66 -	95 68 -	50 59 -
	3,500(5,950)	72 67 62	164 135 107	77 88 98	144 114 -	70 80 -	123 95 -	62 73 -	102 73 -	55 65 -
LAHV-010,012	3,000(5,100)	72 67 62	- 139 111	- 86 93	148 118 89	69 77 84	127 98 -	62 69 -	105 75 -	54 61 -
	4,000(6,800)	72 67 62	198 162 130	103 103 113	174 138 105	82 93 103	149 114 -	73 84 -	123 98 -	65 75 -
	5,000(8,500)	72 67 62	221 181 144	102 117 130	194 154 -	93 107 -	166 128 -	83 97 -	127 98 -	74 87 -
LAHV-015	4,000(6,800)	72 67 62	198 158 -	122 131 -	168 127 -	109 118 -	139 -	98 -	107 -	86 -
	5,000(8,500)	72 67 62	270 221 176	124 139 153	236 188 143	112 125 136	203 156 -	105 113 -	167 120 -	88 100 -
	6,000(10,200)	72 67 62	296 243 193	137 156 172	259 206 -	124 142 -	222 171 -	111 128 -	183 132 -	99 114 -
LAHV-020	5,000(8,500)	72 67 62	237 189 -	145 157 -	253 201 153	118 130 141	217 167 -	104 160 -	179 129 -	91 102 -
	6,500(11,050)	72 67 62	332 272 217	152 171 188	290 230 175	136 154 170	249 191 -	122 140 -	205 147 -	108 124 -
	8,000(13,600)	72 67 62	302 241 -	194 215 -	323 257 -	154 176 -	277 213 -	138 160 -	228 164 -	123 143 -
LAHV-025	6,000(10,200)	72 67 62	- 312 248	- 189 204	333 264 201	155 169 183	285 219 -	137 152 -	235 169 -	119 133 -
	8,000(13,600)	72 67 62	364 290 -	228 249 -	389 309 235	184 205 225	333 256 -	164 186 -	275 198 -	143 164 -
	10,000(17,000)	72 67 62	499 409 326	231 262 289	437 347 -	208 237 -	375 298 -	187 219 -	309 222 -	165 192 -
LAHV-030	8,000(13,600)	72 67 62	404 322 -	246 266 -	431 342 260	200 221 238	369 284 -	177 198 -	304 219 -	155 174 -
	10,000(17,000)	72 67 62	456 363 -	284 311 -	487 386 294	229 256 281	417 321 -	205 232 -	344 247 -	180 205 -
	12,000(20,400)	72 67 62	498 397 -	317 350 -	532 422 321	253 287 318	456 350 -	227 260 -	376 270 -	200 231 -
LAHV-040	10,000(17,000)	72 67 62	494 394 -	303 328 -	528 419 318	246 272 296	452 348 -	218 244 -	373 268 -	191 215 -
	12,000(20,400)	72 67 62	- 548 436	- 341 374	585 464 353	286 309 337	561 389 -	267 278 -	413 297 -	216 245 -
	15,000(25,500)	72 67 62	745 610 486	345 391 433	652 517 414	313 354 402	559 429 -	280 322 -	460 331 -	246 286 -
LAHV-050	12,000(20,400)	72 67 62	752 639 461	346 387 392	660 548 369	309 348 351	562 452 -	272 309 -	458 353 -	234 271 -
	15,000(25,500)	72 67 62	850 723 521	393 447 458	746 619 418	353 403 414	636 511 -	312 361 -	518 389 -	272 319 -
	18,000(30,600)	72 67 62	934 794 573	434 499 518	819 680 -	391 453 -	698 562 -	348 406 -	569 438 -	305 361 -
LAHV-060	18,000(30,600)	72 67 62	1027 873 630	474 538 552	901 748 504	426 486 500	768 618 -	377 434 -	626 482 -	327 383 -
	20,000(34,000)	72 67 62	1084 922 665	504 576 594	951 790 -	452 522 -	810 652 -	402 468 -	661 509 -	350 414 -
	22,000(37,400)	72 67 62	1135 965 696	528 608 633	996 827 -	475 551 -	848 683 -	423 496 -	692 533 -	371 442 -
LAHV-075	22,000(37,400)	72 67 62	1225 1042 752	567 644 665	1075 893 602	510 585 601	916 737 -	450 523 -	747 576 -	393 461 -
	25,000(42,500)	72 67 62	1302 1107 798	606 697 724	1142 949 -	546 632 -	973 783 -	487 568 -	794 611 -	425 505 -
	28,000(47,600)	72 67 62	1376 1170 844	644 744 780	1208 1003 -	581 677 -	1029 828 -	520 611 -	839 646 -	454 544 -

\* Capacity based on Entering Air 80°F DB., Ewb = Entering Air Wet Bulb Temp (°F) TC = Total Capacity (Btuh x 1000) SHC = Sensible Heat Capacity (Btuh x 1000)



ORDERING CODE

LAHV - 020 - DX - A

Series

H : Horizontal

V : Vertical

Air Blower Arrangement

DX : Direct Expansion

W : Water Coil

Approx Compressor Horse Power

# PERFORMANCE DATA FOR WATER COIL

MODEL	AIR QUANTITY (CFM)(CMH)	EWT °F	WATER FLOW (GPM)	PRESSURE DROP (FT. OF WG)	ENTERING AIR TEMPERATURE					
					76°FDB,65°FWB		80°FDB,67°FWB		84°FDB,69°FWB	
					TC	SHC	TC	SHC	TC	SHC
LAHV-007,009 W	3,000(5,100)	40	15 18 21	10.65 15.01 19.12	88.34 95.33 98.18	61.49 64.63 66.06	104.77 107.90	68.68 71.82 73.24	104.96 113.27 116.65	75.02 78.44 79.86
		45	15 18 21	10.56 14.86 18.94	75.57 81.55 83.99	56.08 58.64 59.78	83.97 90.61 93.32	62.98 65.83 66.97	92.36 99.67 102.65	69.88 72.74 73.88
		50	15 18 21	10.34 14.57 18.57	56.55 61.03 62.85	48.38 50.09 50.94	66.43 71.69 73.63	56.14 58.13 58.99	75.57 81.55 83.99	63.33 65.61 66.46
LAHV-010,012 W	4,000(6,800)	40	20 23 26	5.19 6.81 8.42	107.13 116.20 117.35	76.10 80.28 80.66	117.73 127.71 128.97	85.06 89.24 89.62	127.28 136.45 139.42	92.88 97.44 97.82
		45	20 23 26	5.14 6.78 8.42	91.64 99.40 100.39	69.63 72.67 73.43	101.82 110.45 111.54	78.60 82.02 82.40	112.01 121.49 122.69	86.80 90.60 90.98
		50	20 23 26	5.04 6.78 8.25	68.58 74.39 75.13	60.51 62.79 62.79	80.56 87.38 87.95	69.85 72.89	91.64 99.40 100.39	79.19 81.88 82.24
LAHV-015 W	5,000(8,500)	40	24 27 30	9.54 11.81 14.79	148.84 159.44 161.63	103.85 108.60 109.55	163.58 175.23 177.63	115.43 120.66 121.61	176.84 189.43 192.03	126.06 131.76 132.71
		45	24 27 30	9.45 11.70 14.65	127.33 136.39 138.26	94.34 98.62 99.10	141.48 151.55 153.63	106.40 110.20 111.15	155.62 166.70 166.99	117.51 122.26 123.21
		50	24 27 30	9.27 11.47 14.36	95.29 102.07 103.47	81.51 83.89 84.36	111.93 119.90 121.54	94.52 97.37 98.32	127.33 136.39 138.26	106.58 109.80 110.85
LAHV-020 W	6,500(11,050)	40	34 38 42	10.89 13.18 16.04	193.14 196.42 197.65	132.88 134.12 134.74	212.26 215.87 217.22	147.55 149.40 150.02	229.47 233.37 234.83	160.99 162.84 163.46
		45	34 38 42	10.78 13.05 15.89	166.22 168.03 168.08	120.53 121.76 122.08	183.58 186.70 187.88	136.20 137.05 137.05	201.93 205.37 206.65	149.87 151.10 151.72
		50	34 38 42	10.57 12.79 15.58	123.64 125.75 126.53	103.23 104.47 104.47	145.24 147.71 148.63	119.75 120.99 121.61	165.22 168.03 169.08	135.66 136.27 136.89
LAHV-025 W	8,000(13,600)	40	38 48 58	2.57 3.94 5.35	223.79 247.46 258.52	160.84 170.72 176.04	245.95 271.96 284.12	178.84 190.15 195.47	265.89 294.01 307.15	195.89 208.05 213.38
		45	38 48 58	2.54 3.90 5.30	191.44 211.69 221.15	146.39 155.51 159.31	212.71 235.21 245.72	166.06 174.18 178.74	233.98 256.73 270.30	182.96 192.85 198.17
		50	38 48 58	2.49 3.83 5.19	143.27 158.42 165.50	127.38 133.46 135.74	188.29 186.09 194.41	147.57 154.41 158.21	191.44 211.69 221.15	167.00 174.60 178.40
LAHV-030 W	10,000(17,000)	40	48 60 72	2.75 3.94 5.65	283.48 309.30 323.68	201.72 213.13 219.78	311.55 339.92 355.26	225.01 237.36 244.02	336.81 367.48 384.07	246.39 258.75 269.35
		45	48 60 72	2.72 3.90 5.60	242.50 264.59 276.53	184.12 198.87	269.45 307.26	217.40 223.11	296.39 337.98	230.23 240.69 247.34
		50	48 60 72	2.67 3.83 5.49	181.48 198.01 206.95	159.90 166.56 169.41	213.18 232.60 243.09	185.09 192.69 197.45	242.50 264.59 276.53	209.33 217.88 222.63
LAHV-040 W	12,000(20,400)	40	67 84 100	4.16 6.23 8.63	369.71 383.44 410.16	255.75 263.74 274.00	406.31 428.00 450.77	284.83 293.96 304.22	439.26 462.70 487.31	310.50 320.76 331.02
		45	67 84 100	4.12 6.23 8.55	316.27 333.15 350.87	231.80 239.79 246.63	351.41 370.16 389.85	260.88 268.87 276.85	386.55 407.18 428.84	288.83 296.81 305.93
		50	67 84 100	4.04 6.11 8.38	236.68 249.32 262.58	198.73 204.43 210.13	278.02 292.86 308.44	231.23 236.93 243.78	316.27 333.15 350.87	260.31 267.16 274.00
LAHV-050 W	15,000(25,500)	40	80 100 120	3.71 5.41 7.66	461.48 472.56 510.00	320.10 324.38 341.48	507.18 519.35 560.50	355.10 360.80 379.34	548.30 561.46 605.94	388.68 391.46 412.91
		45	80 100 120	3.68 5.35 7.59	394.77 404.25 438.28	290.16 294.44 308.69	438.64 449.17 484.75	326.59 330.86 346.55	482.50 494.08 533.23	361.79 365.87 381.55
		50	80 100 120	3.60 5.25 7.44	295.44 302.53 326.60	248.82 251.67 281.65	347.04 355.37 383.92	289.52 292.37 303.78	394.77 404.25 438.28	325.95 330.23 343.96
LAHV-060 W	20,000(34,000)	40	100 120 140	7.43 10.34 13.66	583.95 630.63 653.86	409.42 430.33 441.73	641.77 693.07 718.60	457.59 478.50 489.90	693.80 749.27 776.86	465.85 484.86 494.36
		45	100 120 140	7.36 10.24 13.53	499.54 539.47 559.34	373.30 390.41 399.91	555.04 599.41 621.49	419.57 438.58 448.09	610.55 659.36 683.64	498.16 522.87 534.28
		50	100 120 140	7.22 10.04 13.26	373.84 403.72 418.59	321.98 333.39 340.99	439.14 474.24 491.71	373.96 387.26 394.86	499.54 539.47 559.34	422.13 437.34 444.94
LAHV-075 W	25,000(42,500)	40	130 150 170	9.70 12.67 15.53	765.19 780.93 802.50	525.69 532.81 542.32	840.95 858.25 881.95	585.41 592.54 602.04	909.13 927.84 953.46	638.00 645.13 657.01
		45	130 150 170	9.61 12.54 15.37	654.58 668.04 686.49	478.17 482.92 490.05	727.31 742.27 762.77	535.51 542.64 549.77	800.04 816.50 839.05	598.86 599.99 609.49
		50	130 150 170	9.42 12.30 15.07	489.86 498.94 513.75	409.26 411.64 418.77	575.43 587.27 603.49	473.74 478.49 485.62	654.58 668.04 686.49	535.84 540.59 547.72

EWT = Entering Water Temp (°F)      TC = Total Capacity (Btuh x 1000)  
 SHC = Sensible Heat Capacity (Btuh x 1000)      TR = Temp Rise 10 °F

UNIT SIZE LAHV-W	HIGH			LOW		
	CFM.	TC	SHC	CFM.	TC	SHC
007, 009	3,500	1.07	1.10	2,500	0.92	0.89
010, 012	5,000	1.09	1.13	3,000	0.91	0.84
015	6,000	1.08	1.13	4,000	0.91	0.87
020	8,000	1.09	1.13	5,000	0.90	0.85
025	10,000	1.08	1.14	6,000	0.90	0.84

UNIT SIZE LAHV-W	HIGH			LOW		
	CFM.	TC	SHC	CFM.	TC	SHC
030	12,000	1.08	1.12	8,000	0.90	0.86
040	15,000	1.09	1.14	10,000	0.89	0.87
050	18,000	1.08	1.13	12,000	0.90	0.85
060	22,000	1.09	1.14	18,000	0.91	0.86
075	28,000	1.08	1.13	22,000	0.90	0.85

Specifications are subjected to change without notice for future improvement.



## UNI-AIRE CORPORATION CO., LTD.

69 Moo 3 Kingkaew Rd.,Bangplee,Samutprakarn 10540 THAILAND Tel. 02 312-4500,02 312-4263-78 Fax.02 312 4277

69 หมู่ 3 ถนนกิ่งแก้ว ต.ราชาเทวะ อ.บางพลี จ.สมุทรปราการ 10540 โทร 02 312-4500, 02 312-4263-78 แฟกซ์ 02 312-4277

http://www.uni-aire.com E-mail:localsale@uni-aire.com, marketing@uni-aire.com